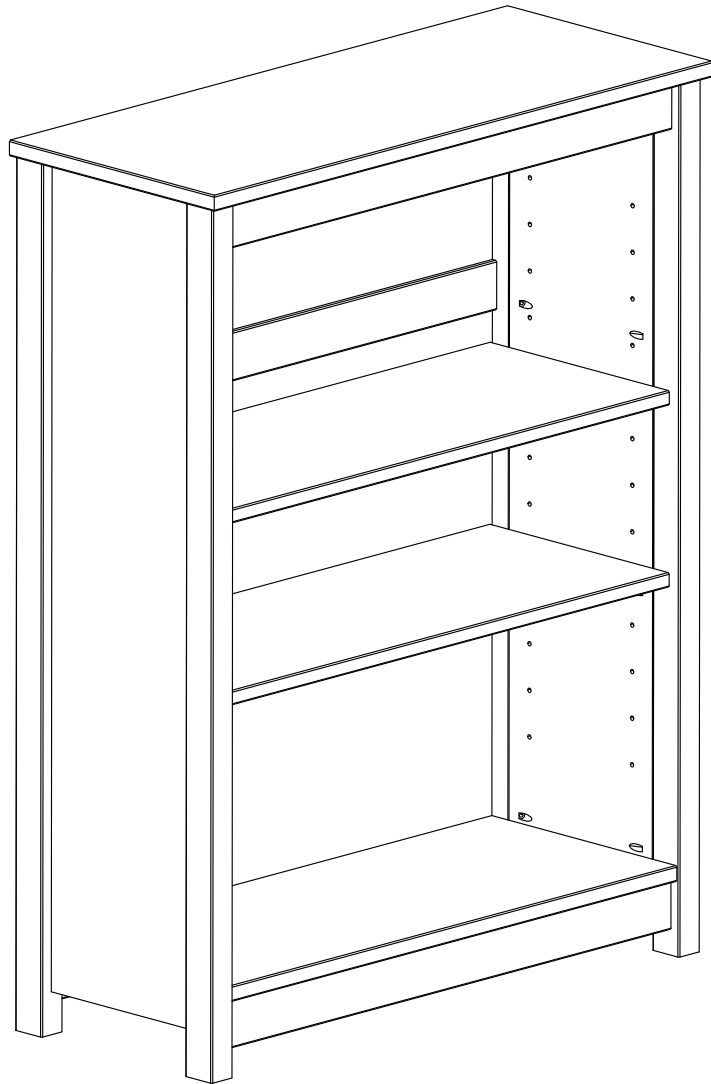
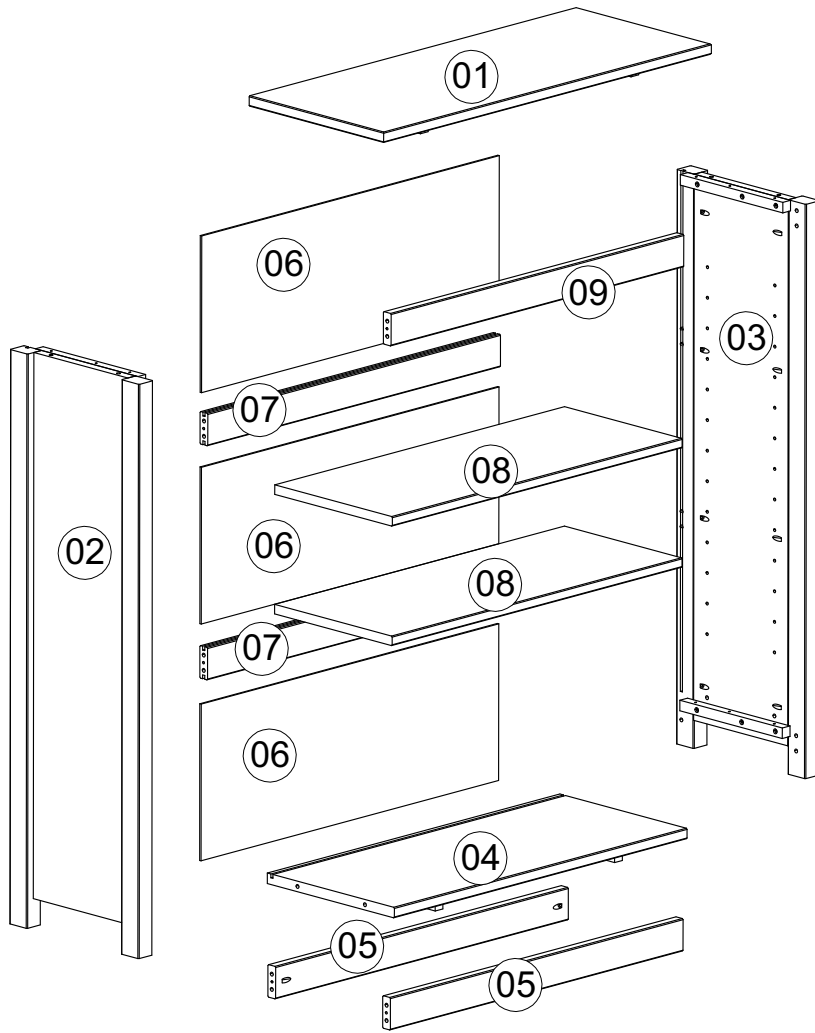


# ASSEMBLY INSTRUCTIONS

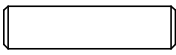


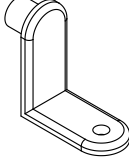
## TALL BOOKCASE

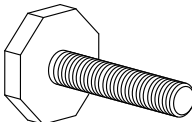
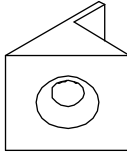



# COMPONENTS



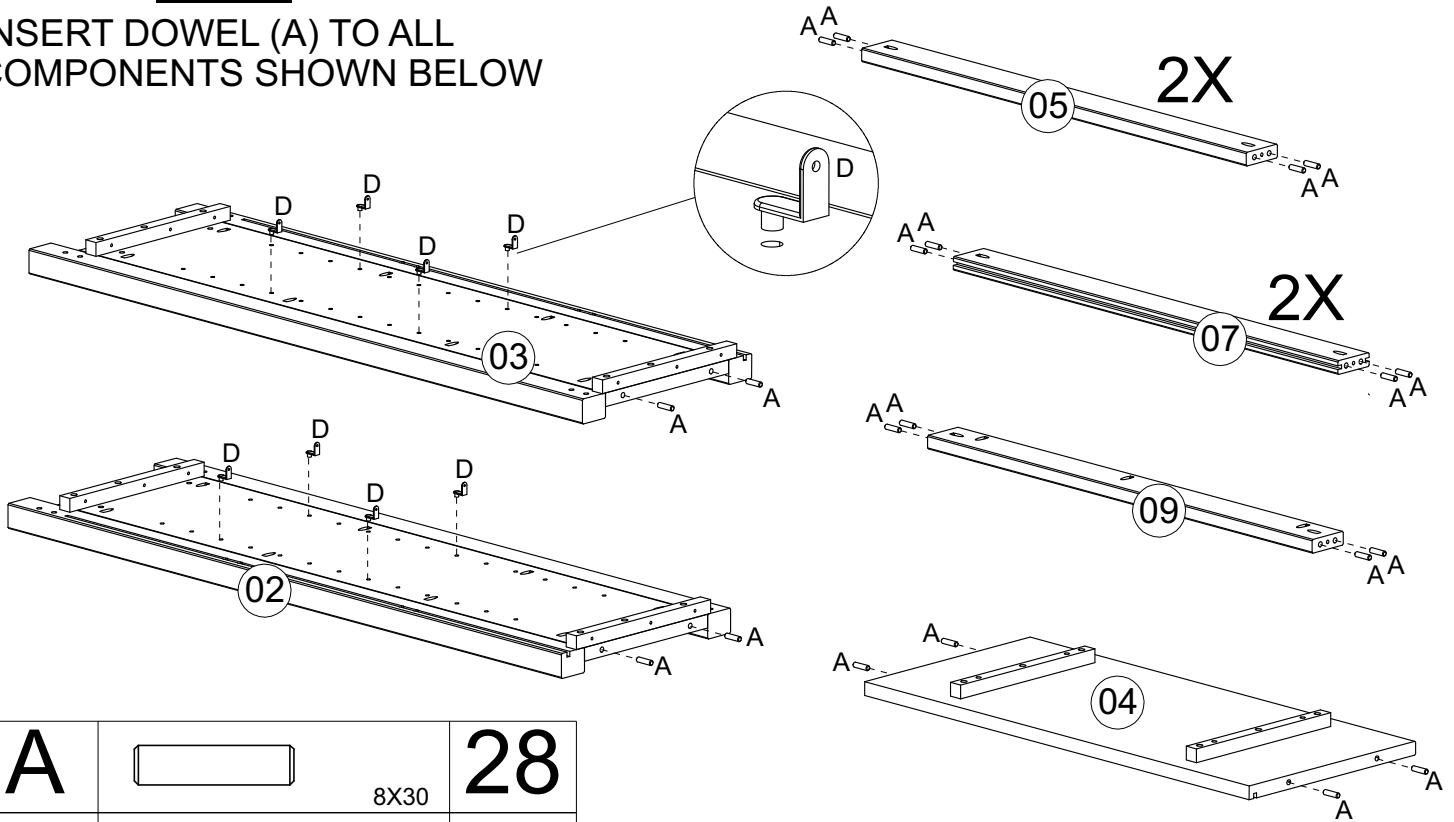
# HARDWARE

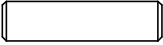
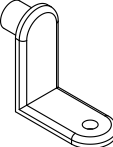
<b>A</b>		8X30	<b>28</b>
<b>B</b>		CP 4X30	<b>25</b>
<b>C</b>		CC 3X16	<b>08</b>
<b>D</b>			<b>08</b>

<b>E</b>			<b>04</b>
<b>F</b>			<b>16</b>
<b>G</b>		CC3X20	<b>16</b>
<b>I</b>	ANTI-TIPPING KIT		<b>01</b>

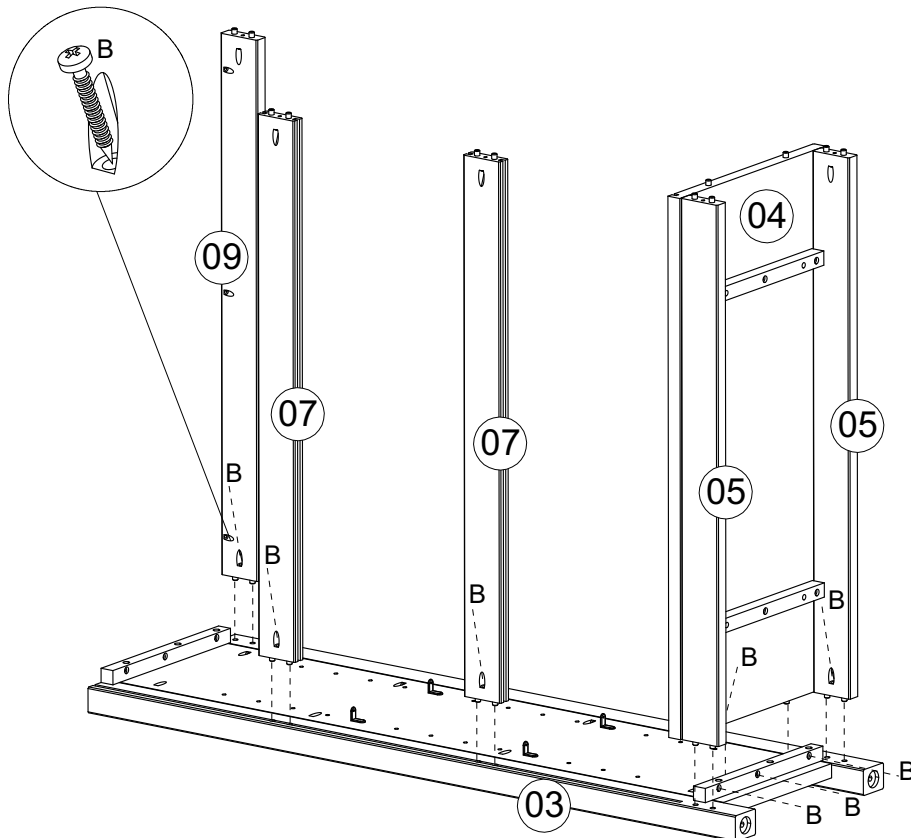
# STEP 1


INSERT DOWEL (A) TO ALL COMPONENTS SHOWN BELOW



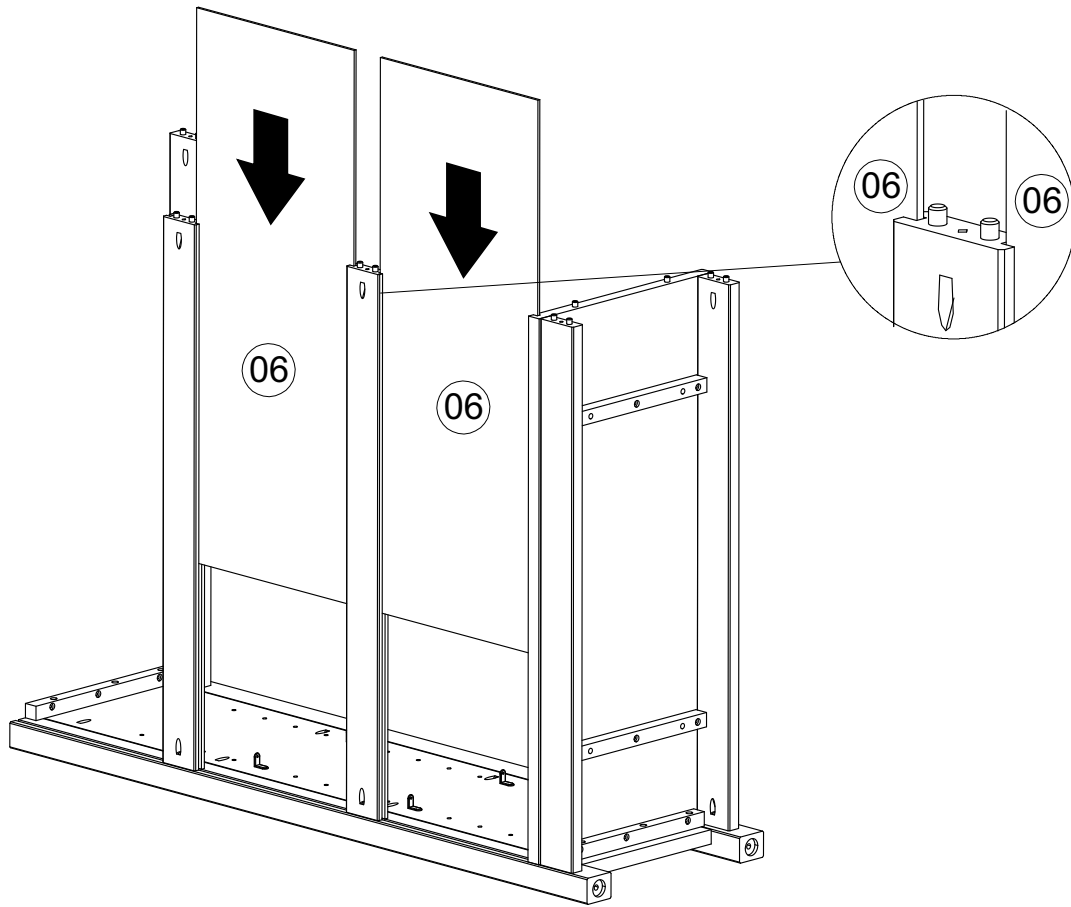
<b>A</b>	 8X30	<b>28</b>
<b>D</b>		<b>08</b>

# STEP 2

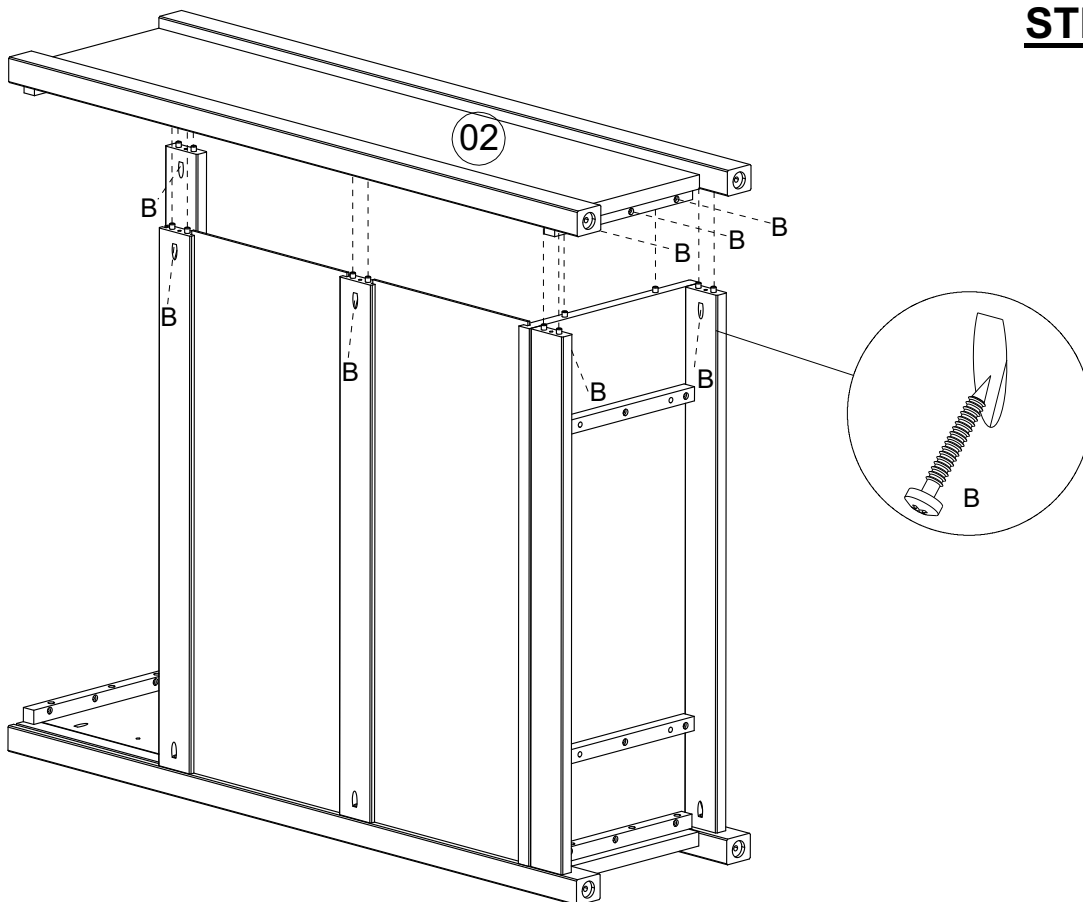



<b>B</b>	 CP 4X30	<b>08</b>
----------	--	-----------

### STEP 3

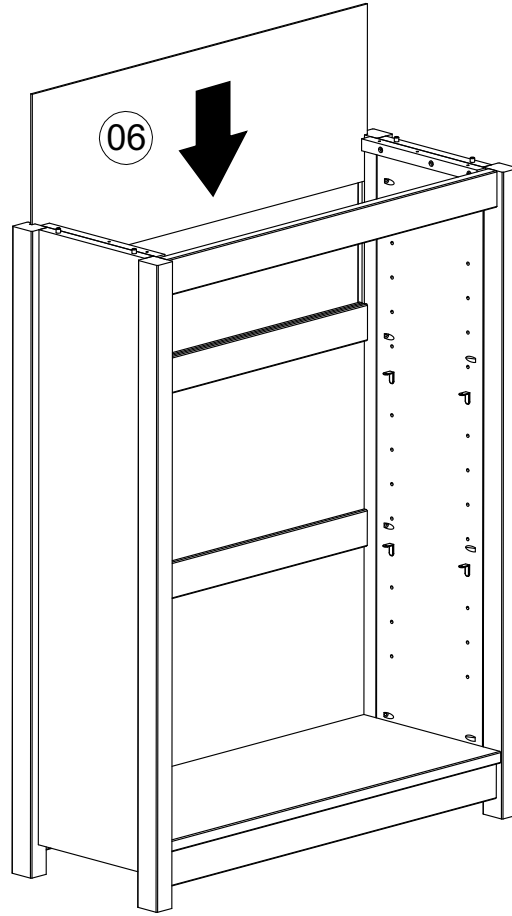


### STEP 4

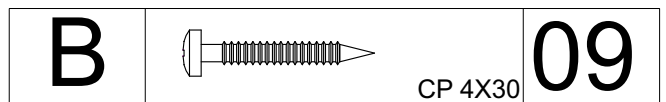
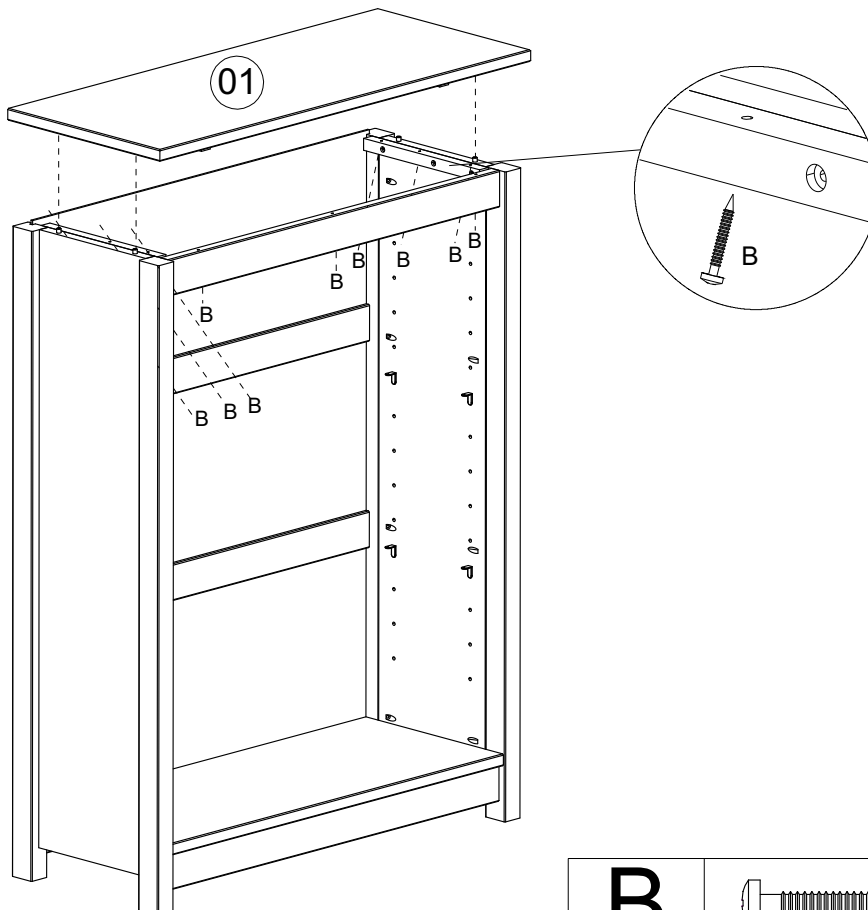


<b>B</b>		<b>08</b>
CP 4X30		

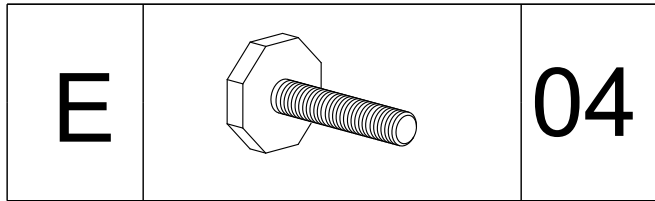
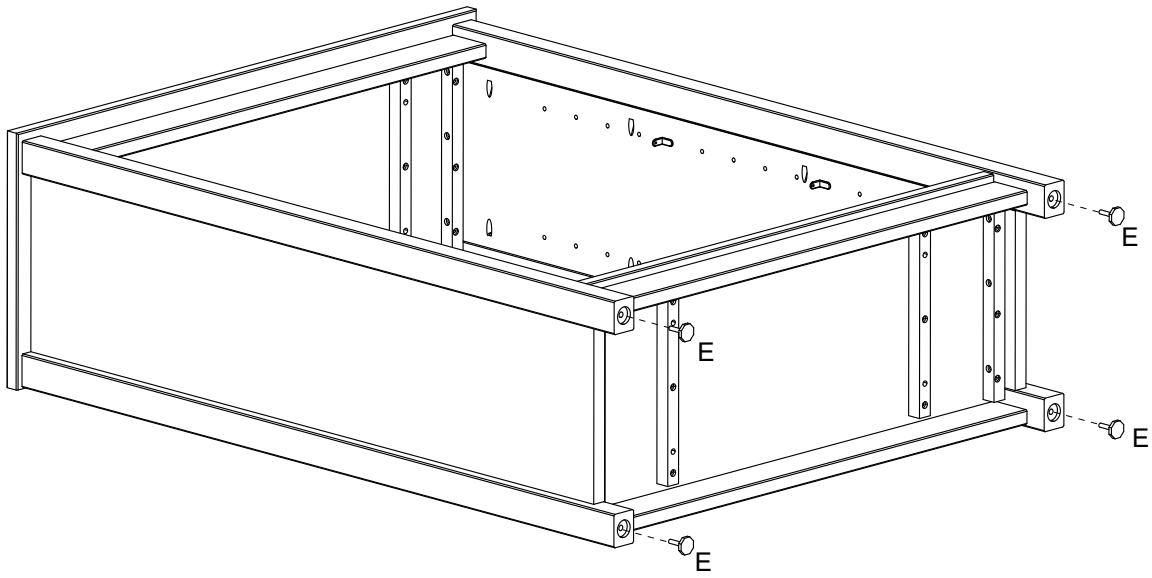
# STEP 5



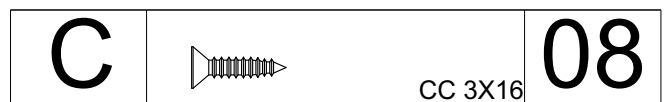
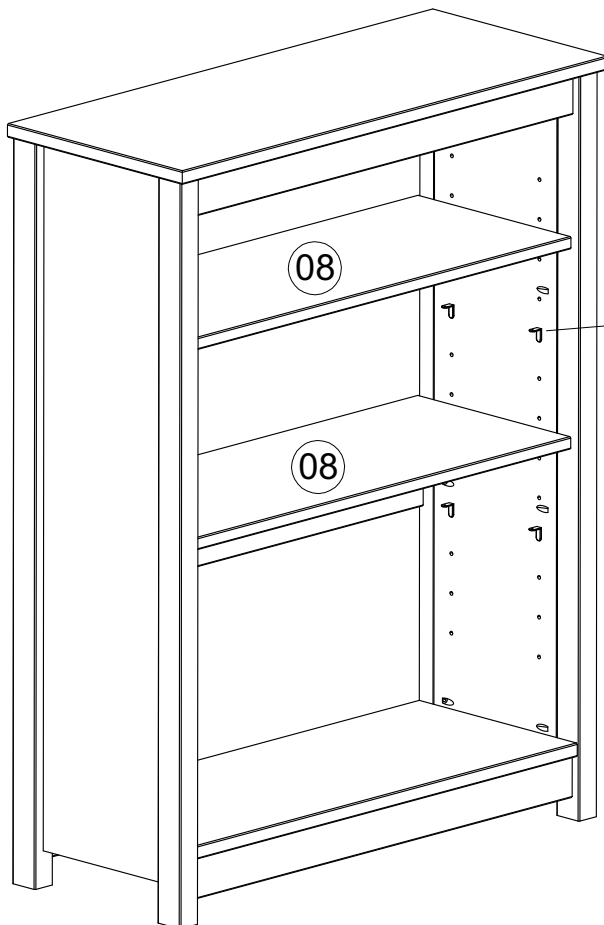
# STEP 6



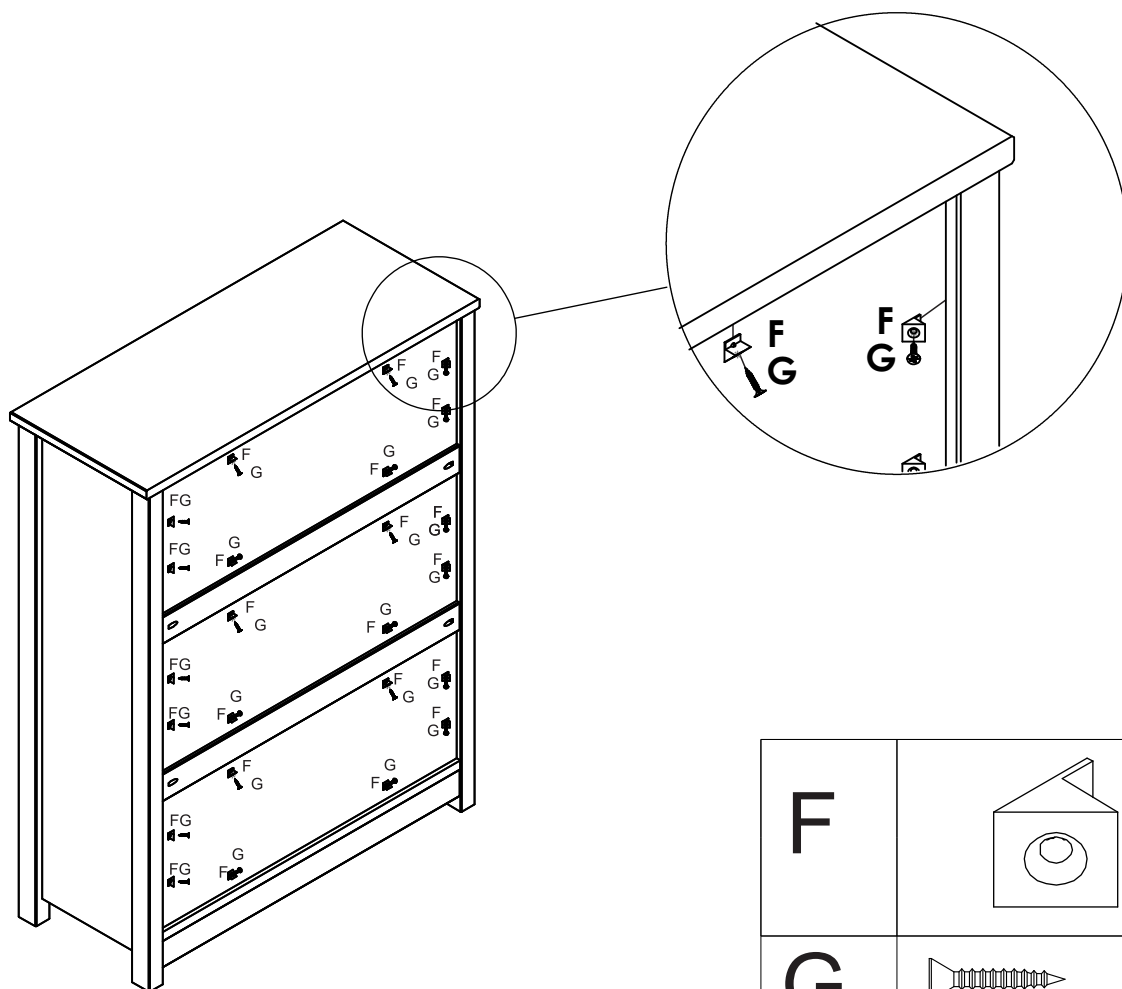
# STEP 7

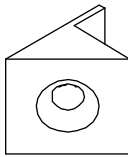



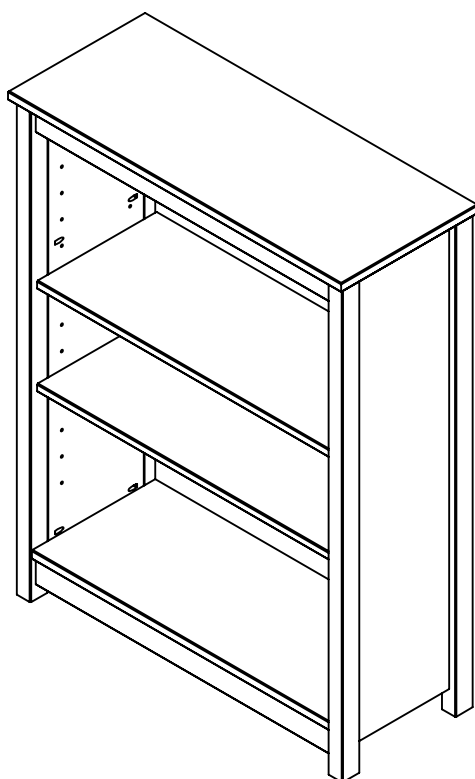
# STEP 8







**STEP 9**



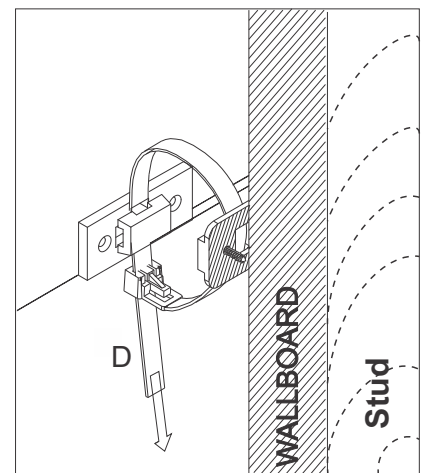
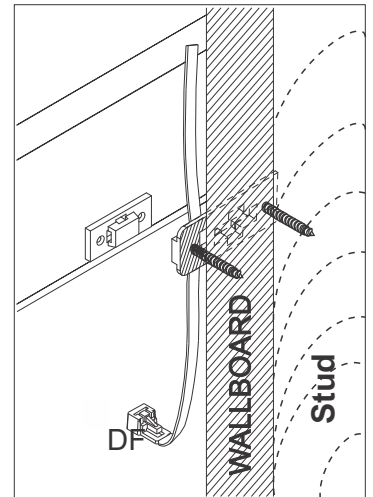
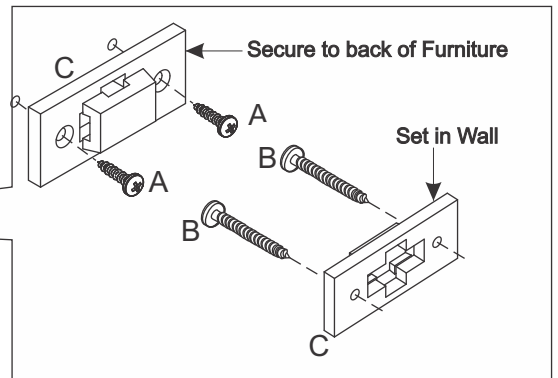
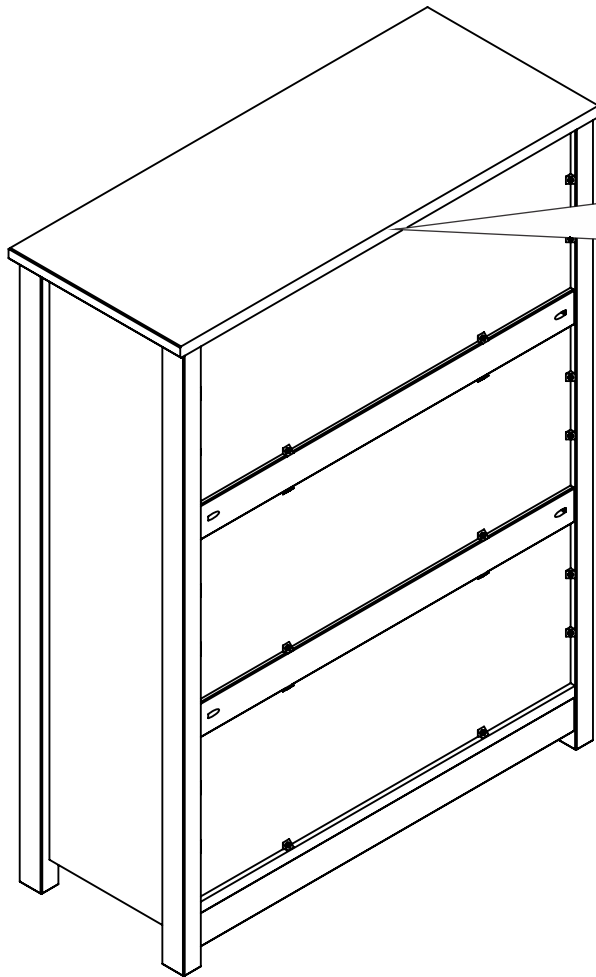
<b>F</b>		<b>24</b>
<b>G</b>	 CC3X20	<b>24</b>



# “ I ” - ANTI-TIPPING KIT

<b>A</b>	 3,5x16 Screw	<b>02</b>	<b>C</b>	 Plastic wall bracket	<b>02</b>
<b>B</b>	 3,5x30 Screw	<b>02</b>	<b>D</b>	 Nylon strap 140mm	<b>01</b>

## Secure to Stud behind Wallboard.



Secure to Stud behind Wallboard!

